

Common Mode Line Filte ACM - 0503S Series

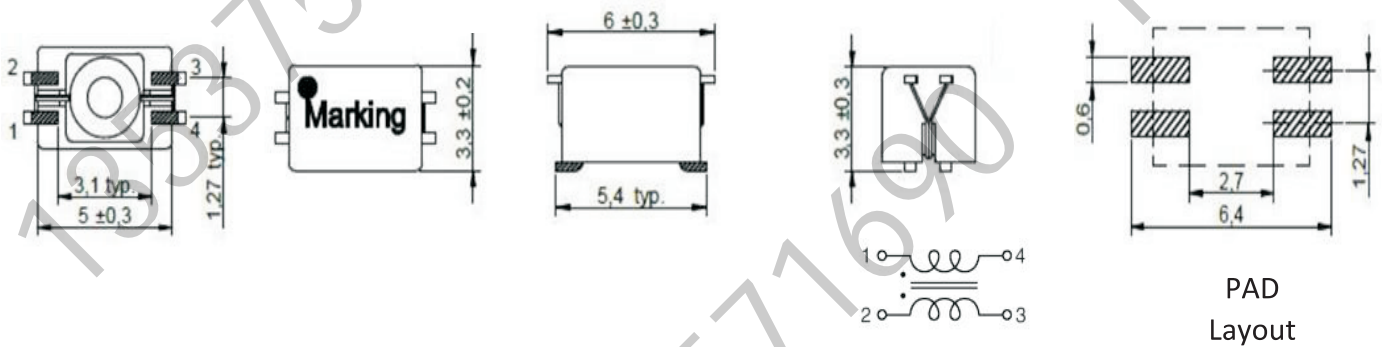
Product Identification:

ACM - 0503 S - 101 Y
(1) (2) (3) (4) (5)



- (1) Series
- (2) Dimensions(L*H*W)
- (3) Type
- (4) Inductance (100=10uH, 101=100uH, 102=1000uH)
- (5) Tolerance See Spec table

DIMENSIONS DRAWING:



Shape and Dimensions								
TYPE	A(mm)	B(mm)	C(mm)					
ACM-0503S	6.0±0.3	3.3±0.2	3.3±0.3					

Common Mode Line Filte ACM - 0503S Series

ELECTRICAL CHARACTERISTIC:

Part Number	Inductance 1-4=2-3 (uH) @10KHz/0.1V	DCR (Ω) Max.	Rated Current (A)Max.	Hi-Pot (Vac) 3mA/1S	Rated Voltage (V) Typ	Impedance (Ω)
ACM-0503S-110Y	11 +50%/-30%	0.18	0.30	250	80	800
ACM-0503S-220Y	22 +50%/-30%	0.23	0.30	250	80	1500
ACM-0503S-330Y	33 +50%/-30%	0.27	0.30	250	80	2000
ACM-0503S-510Y	51 +50%/-30%	0.32	0.30	250	80	2500
ACM-0503S-101Y	100 +50%/-30%	0.58	0.30	250	80	4000
ACM-0503S-471Y	470 +50%/-30%	0.35	0.30	250	80	2200

(1).Irms: Temp.rise 40°C Typ

(2).Operating Temperature: -40°C up to +125°C