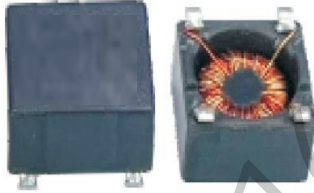


**Common Mode Line Filte ACM-0805T Series**

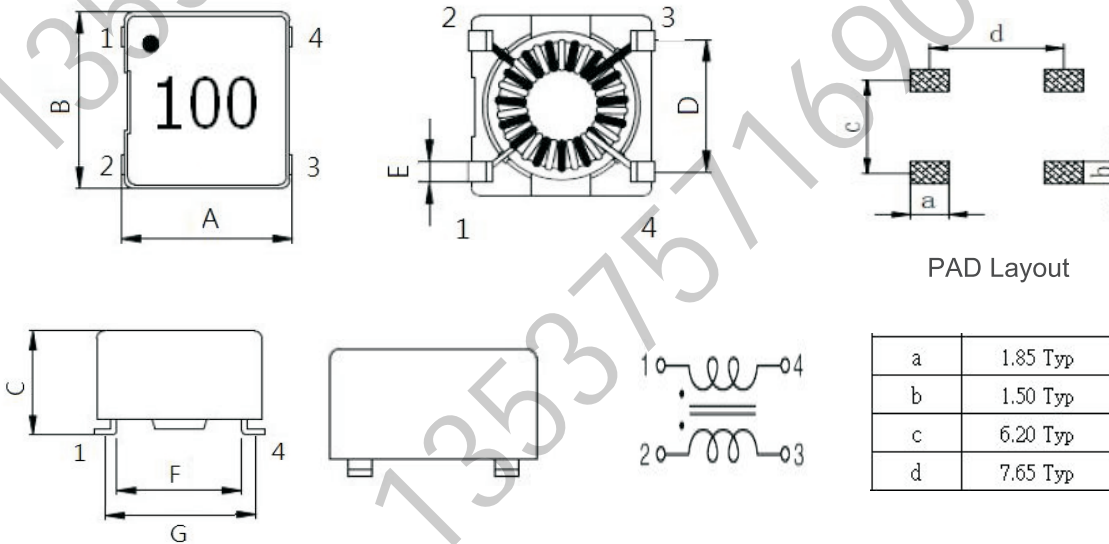
**Product Identification:**

ACM - 0805 T - 100 Y  
(1) (2) (3) (4) (5)



- (1) Series
- (2) Dimensions(L\*H)
- (3) Type
- (4) Inductance (100=10uH, 101=100uH, 102=1000uH)
- (5) Tolerance See Spec table

**DIMENSIONS DRAWING:**



Shape and Dimensions								
TYPE	A(mm)	B(mm)	C(mm)	D(mm)	E(mm)	F(mm)	G(mm)	
ACM-0805T	8.8±0.5	8.5±0.5	5.5±0.5	6.22±0.5	1.0Typ	6.5Typ	7.6Typ	