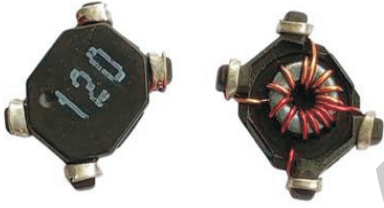


**Common Mode Line Filte ACM - 0903C Series**

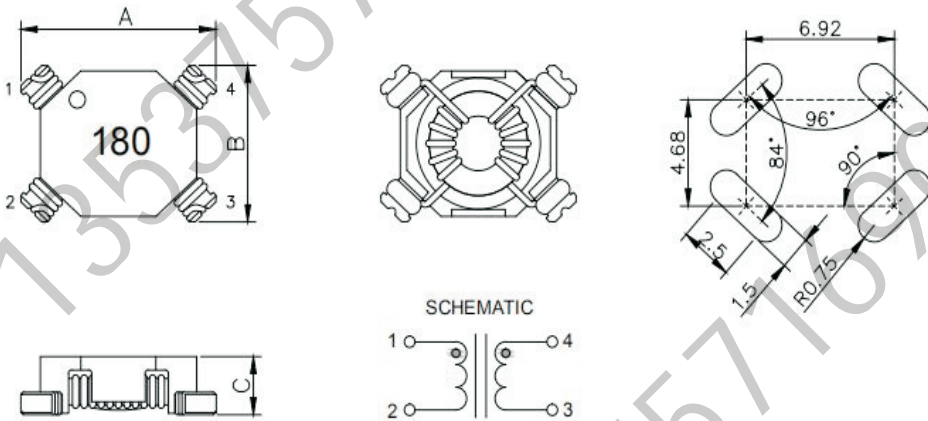
**Product Identification:**

ACM - 0903 C - 200 - Y  
(1) (2) (3) (4) (5)



- (1) Series
- (2) Dimensions(L\*H\*W)
- (3) Type
- (4) Inductance (200=20uH, 201=200uH, 202=2000uH)
- (5) Tolerance See Spec table

**DIMENSIONS DRAWING:**



Shape and Dimensions				Recommended Pattern			
TYPE	A(mm)	B(mm)	C(mm)				
ACM-0903C	9.4Max	7.2Max	2.6Max				

**Common Mode Line Filte ACM - 0903C Series**

**ELECTRICAL CHARACTERISTIC:**

Part Number	Inductance 1-2=4-3 @100KHz/0.1V	Leakage Inductance @100KHz/0.1V	DCR 1-2=4-3 (mΩ) Typ.	Rated Current 1-2=4-3 (A)Max.	Hi-Pot 1,2-3,4 (Vdc) 3mA/1S
ACM-0903C-4R5Y	4.5uH Min	0.05uH Typ	2.7	7.0	500
ACM-0903C-8R0Y	8.0uH Min	0.09uH Typ	4.0	5.7	500
ACM-0903C-120Y	12.6uH Min	0.14uH Typ	7.7	4.1	500
ACM-0903C-180Y	18uH Min	0.20uH Typ	8.9	3.8	500
ACM-0903C-200Y	20uH Min	0.25uH Typ	9.3	3.7	500
ACM-0903C-250Y	25uH Min	0.28uH Typ	10.0	3.6	500
ACM-0903C-330Y	32.8uH Min	0.36uH Typ	13.8	3.1	500

- (1).Rated Current: Temp.rise 40°C Typ
- (2).Operating Temperature: -40°C up to +125°C