

Common Mode Line Filte ACM Series

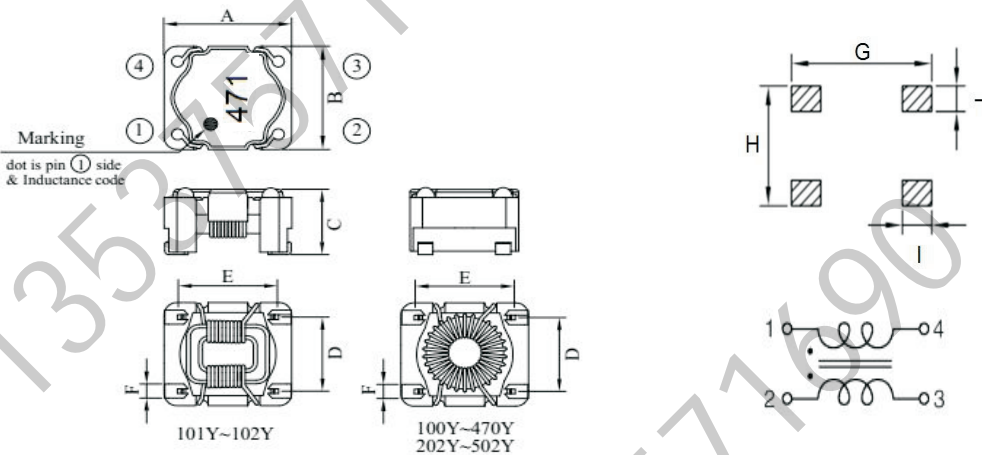


Product Identification:

ACM - 1006 C - 101
(1) (2) (3) (4)

- (1) Series
- (2) Dimensions(L*H*W)
- (3) Type
- (4) Inductance (100=10uH, 101=100uH, 102=1000uH)

DIMENSIONS DRAWING:



Shape and Dimensions							Recommended Pattern			
TYPE	A(mm)	B(mm)	C(mm)	D(mm)	E(mm)	F(mm)	G(mm)	H(mm)	I(mm)	J(mm)
ACM-1006C	10.5±0.5	8.7±0.3	6.5Max	6.22±0.1	7.62±0.1	1.4Typ	11.5Typ	8.9Typ	2.7Typ	2.7Typ

Common Mode Line Filte ACM - 1006C Series

ELECTRICAL CHARACTERISTIC:

Part Number	Inductance L1=L2(uH) @100KHz/0.1V	DC Resistance (mΩ) Max.	Rated Current (A)Max.	Hi-Pot (Vac) 3mA/1S	Impedance (Ω) Min	Freq. range (MHz)
ACM-1006C-100Y	10 ±40%	30	4.0	600	100	10~300
ACM-1006C-220Y	22 ±40%	35	3.8	600	300	10~200
ACM-1006C-470Y	47 ±40%	40	3.2	600	800	10~100
ACM-1006C-101Y	100 ±40%	25	3.0	1000	100	10~300
ACM-1006C-121Y	120 ±40%	25	2.5	1000	200	10~200
ACM-1006C-201Y	200 ±40%	15	3.0	1000	300	7~150
ACM-1006C-221Y	220 ±40%	32	2.2	1000	350	7~150
ACM-1006C-251Y	250 ±40%	35	2.0	1000	400	5~100
ACM-1006C-471Y	470 ±40%	65	1.60	1000	900	2~40

- (1).Rated Current: Temp.rise 40°C Typ
- (2).Operating Temperature: -40°C up to +125°C

Common Mode Line Filte ACM - 1006C Series

ELECTRICAL CHARACTERISTIC:

Part Number	Inductance L1=L2(uH) @100KHz/0.1V	DC Resistance (mΩ) Max.	Rated Current (A)Max.	Hi-Pot (Vac) 3mA/1S	Impedance (Ω) Min	Freq. range (MHz)
ACM-1006C-501Y	500 ±40%	70	1.50	1000	800	2~50
ACM-1006C-102Y	1000 ±40%	180	0.95	1000	1400	1~40
ACM-1006C-202Y	2000 ±40%	270	0.80	300	2000	0.5~15
ACM-1006C-222Y	2200 ±40%	300	0.75	300	3400	1~11
ACM-1006C-302Y	3000 ±40%	330	0.70	300	3000	0.5~10
ACM-1006C-332Y	3300 ±40%	360	0.65	300	4400	0.9~7
ACM-1006C-392Y	3900 ±40%	540	0.52	300	5000	0.7~6
ACM-1006C-402Y	4000 ±40%	600	0.45	300	4000	0.5~5
ACM-1006C-472Y	4700 ±40%	720	0.35	300	6200	0.6~3
ACM-1006C-502Y	5000 ±40%	780	0.30	300	5000	0.5~3

(1).Rated Current: Temp.rise 40°C Typ

(2).Operating Temperature: -40°C up to +125°C

Common Mode Line Filte ACM - 1006C Series

CHARACTERISTICS(REFERENCE)

