

**Common Mode Line Filte ACM-1207C Series**

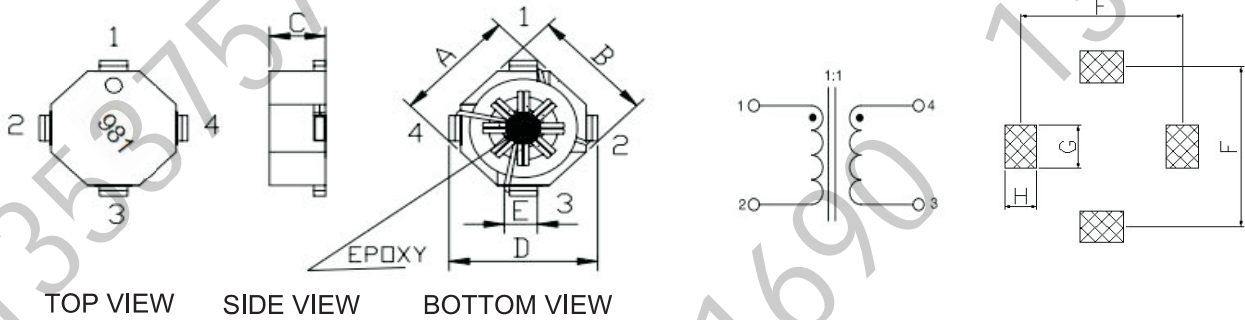
**Product Identification:**

ACM - 1207 C - 102 Y  
(1) (2) (3) (4) (5)



- (1) Series
- (2) Dimensions(L\*H)
- (3) Type
- (4) Inductance (100=10uH, 101=100uH, 102=1000uH)
- (5) Tolerance See Spec table

**DIMENSIONS DRAWING:**



**Shape and Dimensions**

TYPE	A(mm)	B(mm)	C(mm)	D(mm)	E(mm)	F(mm)	G(mm)	H(mm)
ACM-1207C	11.5±0.5	11.5±0.5	7.5Max	14.0±0.5	3.2Typ	12.7Typ	4.0Typ	2.54Typ

**Common Mode Line Filte ACM - 1207C Series**

**ELECTRICAL CHARACTERISTIC:**

Part Number	Inductance 1-2=4-3 @100KHz/0.1V	Leakage Inductance @100KHz/0.1V	DCR 1-2=4-3 (mΩ) Typ.	Rated Current 1-2=4-3 (A)Max.	Marking
ACM-1207C-280Y	28uH Min	0.31uH Typ	5	5.7	280
ACM-1207C-450Y	45uH Min	0.46uH Typ	6	5.1	450
ACM-1207C-650Y	64uH Min	0.64uH Typ	7	4.75	650
ACM-1207C-900Y	88uH Min	0.85uH Typ	10	3.95	900
ACM-1207C-151Y	150uH Min	1.3uH Typ	17	3.1	151
ACM-1207C-221Y	217uH Min	1.9uH Typ	20	2.85	221
ACM-1207C-251Y	258uH Min	2.2uH Typ	27	2.45	251
ACM-1207C-351Y	350uH Min	3.0uH Typ	40	2.0	351
ACM-1207C-401Y	400uH Min	3.3uH Typ	53	1.7	401
ACM-1207C-521Y	518uH Min	4.2uH Typ	76	1.45	521
ACM-1207C-651Y	648uH Min	5.1uH Typ	107	1.2	651
ACM-1207C-791Y	790uH Min	6.1uH Typ	145	1.05	791
ACM-1207C-102Y	1030uH Min	7.8uH Typ	210	0.88	102
ACM-1207C-132Y	1310uH Min	9.6uH Typ	300	0.75	132

- (1).Rated Current: Temp.rise 40°C Typ
- (2).Operating Temperature: -40°C up to +125°C