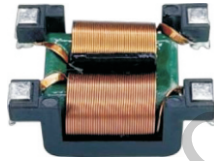


Common Mode Line Filte ASQ-1212T Series

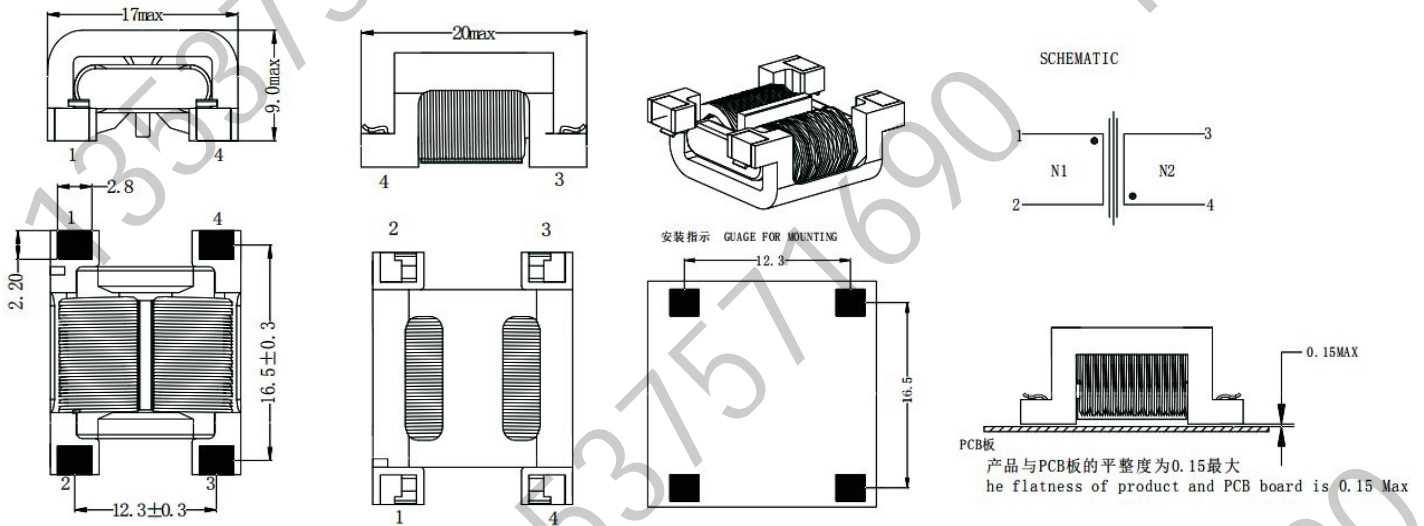
Product Identification:



ASQ - 1212 T - 103
(1) (2) (3) (4)

- (1) Series
- (2) Dimensions(L*H)
- (3) Type
- (4) Inductance (100=10uH, 101=100uH, 102=1000uH)

DIMENSIONS DRAWING:



Common Mode Line Filte ASQ - 1212T Series

ELECTRICAL CHARACTERISTIC:

Part Number	Inductance (mH) MIN	Test Conditions	DCR (mΩ) Max.	Hi-Pot	Reted Current
ASQ-1212T-502	5	1KHZ/0.25V	100	1500V	3A
ASQ-1212T-802	8	1KHZ/0.25V	150	1500V	1.8~2.2A
ASQ-1212T-103	10	1KHZ/0.25V	200	1500V	1.5~2.0A
ASQ-1212T-153	15	1KHZ/0.25V	220	1500V	1.0~1.5A

- (1).Rated Current: Temp.rise 40°C Typ
- (2).Operating Temperature: -40°C up to +125°C