

Common Mode Line Filte CMTB-130705 Series

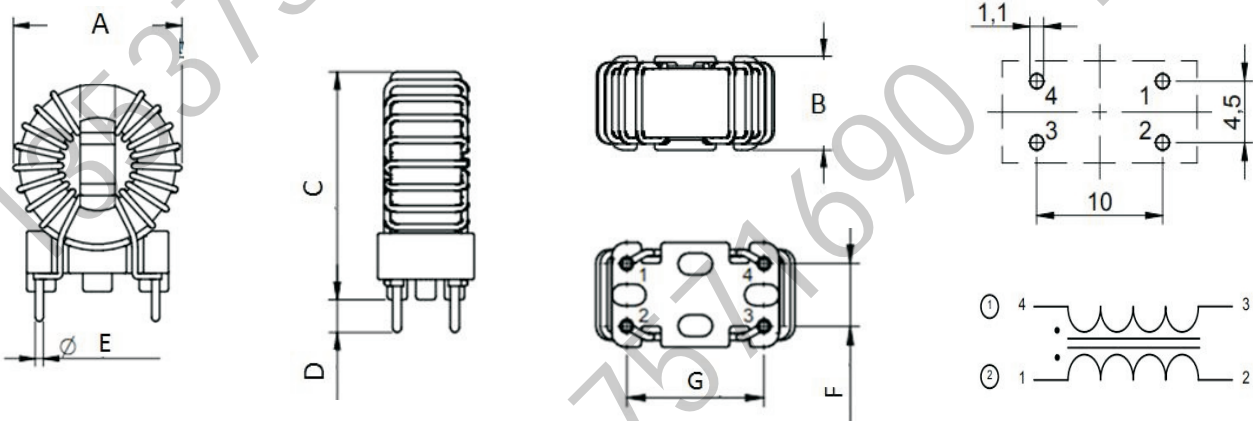
Product Identification:

CMTB - **130705** **XS** - **101** **Y**
(1) (2) (3) (4) (5)



- (1) Series
- (2) Dimensions(L*H)
- (3) Type
- (4) Inductance (100=10uH, 101=100uH, 102=1000uH)
- (5) Tolerance See Spec table

DIMENSIONS DRAWING:



Shape and Dimensions							
TYPE	A(mm)	B(mm)	C(mm)	D(mm)	E(mm)	F(mm)	G(mm)
CMTB-130705XS	16.0Max	7.5Max	17.5Max	2.5±0.5	0.7Typ	4.5±0.5	10.0±0.5

Common Mode Line Filte CMTB-130705XS Series

ELECTRICAL CHARACTERISTIC:

Product No.	Inductance 1-4=2-3 (uH) @10KHz/0.1V	DCR (mΩ) Max.	Rated Current (A)Max.	Hi-Pot (Vac) 3mA/1S	Rated Voltage (V) Typ	Impedance (Ω)Typ
CMTB-130705XS-140Y	14±30%	15	4.0	1500	250	-
CMTB-130705XS-300Y	30±30%	26	3.0	1500	250	-
CMTB-130705XS-470Y	47±30%	40	2.0	1500	250	-
CMTB-130705XS-101Y	100±30%	80	1.5	1500	250	-

- (1).Rated Current: Temp.rise 40°C Typ
- (2).Operating Temperature: -40°C up to +125°C