

Common Mode Line Filte NGEM-648075 Series

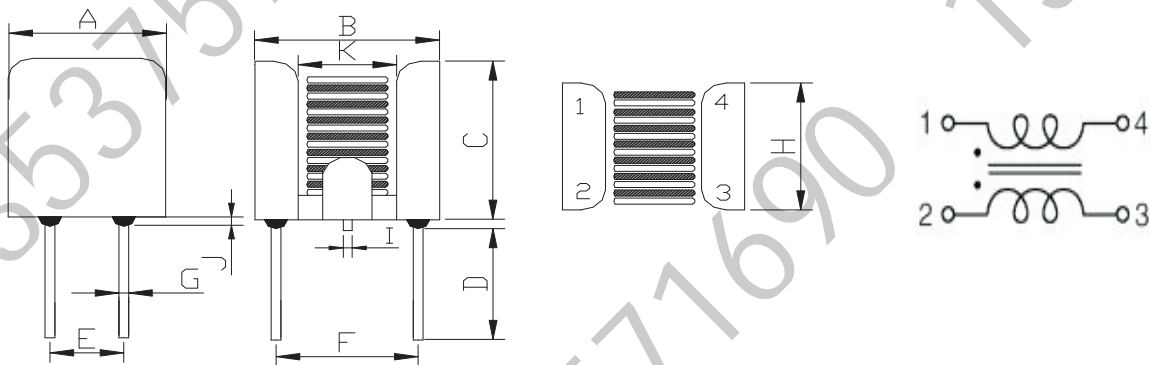
Product Identification:



NGEM - **648075** - **160** - **Y**
 (1) (2) (3) (4)

- (1) Series
- (2) Dimensions(L*H)
- (3) Inductance (100=10uH, 101=100uH, 102=1000uH)
- (4) Tolerance See Spec table

DIMENSIONS DRAWING:



Shape and Dimensions									
TYPE	A(mm)	B(mm)	C(mm)	D(mm)	E(mm)	F(mm)	G(mm)		
NGEM-648075	6.4Max	7.5Max	8.0Max	3.5±1.0	2.5±0.3	5.0±0.5	0.6Typ		

Common Mode Line Filte NGEM-648075 Series

ELECTRICAL CHARACTERISTIC:

Part Number	L(uH) L1(1-4) L2(2-3)	Tolerance ±%	Test Frequency (Hz)	RDC(N1=N1) (mΩ) MAX	IDC(A) MAX
NGEM-648075-160Y	16	50	1K/0.25V	35	0.5
NGEM-648075-800Y	80	35	1K/0.25V	60	0.5

- (1).Rated Current: Temp.rise 40°C Typ
- (2).Operating Temperature: -40°C up to +125°C