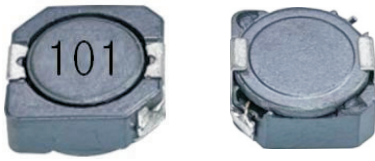


Shielded Power Inductors CDRI-R Series**

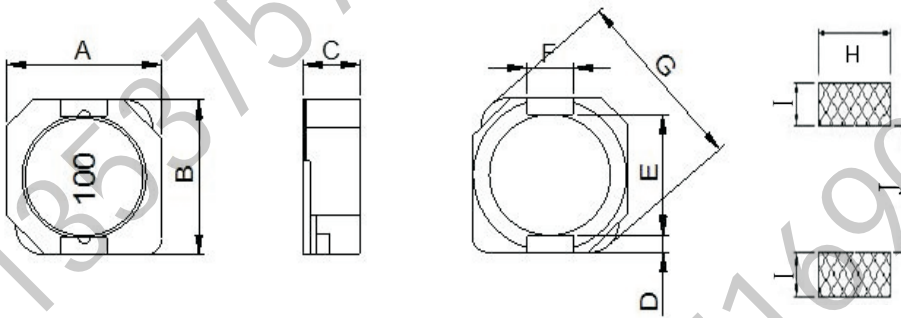
Product Identification:



CDRI - **103** **R** - **1R5** **N**
(1) (2) (3) (4) (5)

- (1) Series
- (2) Dimensions(L*H)
- (3) Type
- (4) Inductance (1R0=1.0uH, 100=10uH, 101=100uH)
- (5) Tolerance(K(±10%), L(±15%), M(±20%),N(±30%))

DIMENSIONS DRAWING:



Shape and Dimensions								Recommended Pattern		
TYPE	A(mm)	B(mm)	C(mm)	D(mm)	E(mm)	F(mm)	G(mm)	H(mm)	I(mm)	J(mm)
CDRI-103R	10.1±0.3	10.3±0.3	2.8±0.3	1.2Typ	7.7Typ	3.0Typ	13.5Typ	3.2Typ	1.6Typ	7.3Typ
CDRI-104R	10.1±0.3	10.3±0.3	3.8±0.3	1.2Typ	7.7Typ	3.0Typ	13.5Typ	3.2Typ	1.6Typ	7.3Typ
CDRI-105R	10.1±0.3	10.3±0.3	4.8±0.3	1.2Typ	7.7Typ	3.0Typ	13.5Typ	3.2Typ	1.6Typ	7.3Typ

Shielded Power Inductors CDRI-103R Series

ELECTRICAL CHARACTERISTIC:

Part Number	Inductance (uH)	Tolerance	TEST FREQ.(Hz)	DCR (mΩ)Max	IDC1 (A) Max.	IDC2 (A) Max.	MARK
CDRI-103R-1R5□	1.5	N	100K/1V	11	8	5.8	1R5
GDRI-103R-2R2□	2.2	N	100K/1V	16.9	6.7	5.1	2R2
CDRI-103R-3R3□	3.3	N	100K/1V	21	5.56	4.7	3R3
CDRI-103R-4R7□	4.7	N	100K/1V	30	4.65	4.0	4R7

(1).Specify the inductance tolerance, K(±10%), L(±15%), M(±20%),N(±30%)

(2).IDC1:Base on temp.rise & ΔL/L0A ≤ 35% MAX

(3).IDC2:Temp.rise 40°C Typ

(4).Operating temp.: -40°C to +125°C

※:Rated DC Current : The less value which is IDC1 or IDC2

Shielded Power Inductors CDRI-103R Series

ELECTRICAL CHARACTERISTIC:

Part Number	Inductance (uH)	Tolerance	TEST FREQ.(Hz)	DCR (mΩ)Max	IDC1 (A) Max.	IDC2 (A) Max.	MARK
CDRI-103R-6R8□	6.8	N	100K/1V	35	3.84	3.6	6R8
CDRI-103R-8R2□	8.2	N	100K/1V	50	3.54	3.0	8R2
CDRI-103R-100□	10	M N	100K/1V	59	3.18	2.8	100
CDRI-103R-150□	15	M N	100K/1V	91	2.6	2.05	150
CDRI-103R-220□	22	M N	100K/1V	143	2.16	1.60	220
CDRI-103R-270□	27	M N	100K/1V	180	1.8	1.40	270
CDRI-103R-330□	33	M N	100K/1V	201	1.74	1.35	330
CDRI-103R-470□	47	M N	100K/1V	299	1.43	1.20	470
CDRI-103R-560□	56	M N	100K/1V	325	1.36	1.15	560
CDRI-103R-680□	68	M N	100K/1V	429	1.22	0.95	680
CDRI-103R-820□	82	M N	100K/1V	494	1.14	0.80	820
CDRI-103R-101□	100	K M	100K/1V	683	1.02	0.70	101
CDRI-103R-121□	120	K M	100K/1V	754	0.89	0.65	121
CDRI-103R-151□	150	K M	100K/1V	871	0.84	0.51	151

Shielded Power Inductors CDRI-104R Series

ELECTRICAL CHARACTERISTIC:

Part Number	Inductance (uH)	Tolerance	TEST FREQ.(Hz)	DCR (mΩ)Max	IDC1 (A) Max.	IDC2 (A) Max.	MARK
CDRI-104R-1R0□	1.0	N	100K/1V	6.5	10.5	6.8	1R0
CDRI-104R-1R5□	1.5	N	100K/1V	8.1	10	6.5	1R5
CDRI-104R-2R2□	2.2	N	100K/1V	10.5	7.5	6.1	2R2
CDRI-104R-2R5□	2.5	N	100K/1V	10.5	7.5	6.1	2R5
CDRI-104R-3R3□	3.3	M N	100K/1V	13	6	5.5	3R3
CDRI-104R-3R8□	3.8	N	100K/1V	13	6	5.5	3R8
CDRI-104R-4R7□	4.7	M N	100K/1V	22	5.8	5.4	4R7
CDRI-104R-5R2□	5.2	N	100K/1V	22	5.5	5.4	5R2
CDRI-104R-6R8□	6.8	M N	100K/1V	27	4.8	4.5	6R8
CDRI-104R-7R0□	7.0	N	100K/1V	27	4.8	4.5	7R0
CDRI-104R-8R2□	8.2	N	100K/1V	30	4.5	4.2	8R2
CDRI-104R-100□	10	M N	100K/1V	35	4.4	3.8	100
CDRI-104R-120□	12	M N	100K/1V	46	3.7	3.4	120

(1).Specify the inductance tolerance, K(±10%), L(±15%), M(±20%),N(±30%)

(2).IDC1:Base on temp.rise & $\Delta L/L_0 \leq 35\%$ MAX

(3).IDC2:Temp.rise 40°C Typ

(4).Operating temp.: -40°C to +125°C

※:Rated DC Current : The less value which is IDC1 or IDC2

Shielded Power Inductors CDRI-104R Series

ELECTRICAL CHARACTERISTIC:

Part Number	Inductance (uH)	Tolerance	TEST FREQ.(Hz)	DCR (mΩ)Max	IDC1 (A) Max.	IDC2 (A) Max.	MARK
CDRI-104R-150□	15	M N	100K/1V	50	3.6	3.1	150
CDRI-104R-180□	18	M N	100K/1V	69	3.1	2.6	180
CDRI-104R-220□	22	M N	100K/1V	73	2.9	2.5	220
CDRI-104R-270□	27	M N	100K/1V	88	2.6	2.3	270
CDRI-104R-330□	33	M N	100K/1V	93	2.3	2.2	330
CDRI-104R-390□	39	M N	100K/1V	127	2.2	2.0	390
CDRI-104R-470□	47	M N	100K/1V	128	2.1	1.9	470
CDRI-104R-560□	56	M N	100K/1V	188	1.65	1.50	560
CDRI-104R-680□	68	M N	100K/1V	213	1.5	1.42	680
CDRI-104R-820□	82	M N	100K/1V	283	1.45	1.30	820
CDRI-104R-101□	100	K M	100K/1V	304	1.35	1.25	101
CDRI-104R-121□	120	K M	100K/1V	375	1.2	1.08	121
CDRI-104R-151□	150	K M	100K/1V	506	1.15	0.85	151
CDRI-104R-181□	180	K M	100K/1V	568	1	0.75	181
CDRI-104R-221□	220	K M	100K/1V	756	0.92	0.70	221
CDRI-104R-271□	270	K M	100K/1V	853	0.84	0.55	271
CDRI-104R-331□	330	K M	100K/1V	1090	0.7	0.52	331

Shielded Power Inductors CDRI-105R Series

ELECTRICAL CHARACTERISTIC:

Part Number	Inductance (uH)	Tolerance	TEST FREQ.(Hz)	DCR (mΩ)Max	IDC1 (A) Max.	IDC2 (A) Max.	MARK
CDRI-105R-1R5□	1.5	N	100K/1V	5.8	10.5	8.3	1R5
CDRI-105R-2R2□	2.2	N	100K/1V	7.2	9.25	7.5	2R2
CDRI-105R-3R3□	3.3	N	100K/1V	10.4	7.8	6.5	3R3
CDRI-105R-4R7□	4.7	M N	100K/1V	12.3	6.4	6.1	4R7
CDRI-105R-6R8□	6.8	N	100K/1V	18	5.4	5.4	6R8
CDRI-105R-8R2□	8.2	M N	100K/1V	20	4.85	5.0	8R2
CDRI-105R-100□	10	M N	100K/1V	26	4.45	4.5	100
CDRI-105R-120□	12	M N	100K/1V	33	4	3.8	120
CDRI-105R-150□	15	M N	100K/1V	41	3.6	3.4	150
CDRI-105R-180□	18	M N	100K/1V	46	3.2	3.1	180

(1).Specify the inductance tolerance, K(±10%), L(±15%), M(±20%),N(±30%)

(2).IDC1:Base on temp.rise & $\Delta L/L0A \leq 35\% \text{ MAX}$

(3).IDC2:Temp.rise 40°C Typ

(4).Operating temp.: -40°C to +125°C

※:Rated DC Current : The less value which is IDC1 or IDC2

Shielded Power Inductors CDRI-105R Series

ELECTRICAL CHARACTERISTIC:

Part Number	Inductance (uH)	Tolerance	TEST FREQ.(Hz)	DCR (mΩ)Max	IDC1 (A) Max.	IDC2 (A) Max.	MARK
CDRI-105R-220□	22	M N	100K/1V	61	2.95	2.9	220
CDRI-105R-270□	27	M N	100K/1V	69	2.7	2.60	270
CDRI-105R-330□	33	M N	100K/1V	84	2.4	2.50	330
CDRI-105R-390□	39	M N	100K/1V	106	2.3	2.25	390
CDRI-105R-470□	47	M N	100K/1V	130	2	2.00	470
CDRI-105R-560□	56	M N	100K/1V	149	1.9	1.90	560
CDRI-105R-680□	68	M N	100K/1V	201	1.65	1.60	680
CDRI-105R-820□	82	M N	100K/1V	227	1.5	1.45	820
CDRI-105R-101□	100	K M	100K/1V	253	1.35	1.35	101
CDRI-105R-121□	120	K M	100K/1V	303	1.28	1.18	121
CDRI-105R-151□	150	K M	100K/1V	370	1.12	1.10	151
CDRI-105R-181□	180	K M	100K/1V	419	1.04	1.00	181
CDRI-105R-221□	220	K M	100K/1V	500	0.94	0.94	221
CDRI-105R-271□	270	K M	100K/1V	672	0.84	0.80	271
CDRI-105R-331□	330	K M	100K/1V	812	0.75	0.73	331
CDRI-105R-391□	390	K M	100K/1V	953	0.7	0.70	391
CDRI-105R-471□	470	K M	100K/1V	1289	0.6	0.54	471
CDRI-105R-561□	560	K M	100K/1V	1430	0.54	0.52	561
CDRI-105R-681□	680	K M	100K/1V	1599	0.52	0.51	681
CDRI-105R-821□	820	K M	100K/1V	1768	0.5	0.48	821
CDRI-105R-102□	1000	K M	100K/1V	1989	0.48	0.42	102

(1).Specify the inductance tolerance, K(±10%), L(±15%), M(±20%),N(±30%)

(2).IDC1:Base on temp.rise & ΔL/L0A ≤ 35% MAX

(3).IDC2:Temp.rise 40°C Typ

(4).Operating temp.: -40°C to +125°C

※:Rated DC Current : The less value which is IDC1 or IDC2